

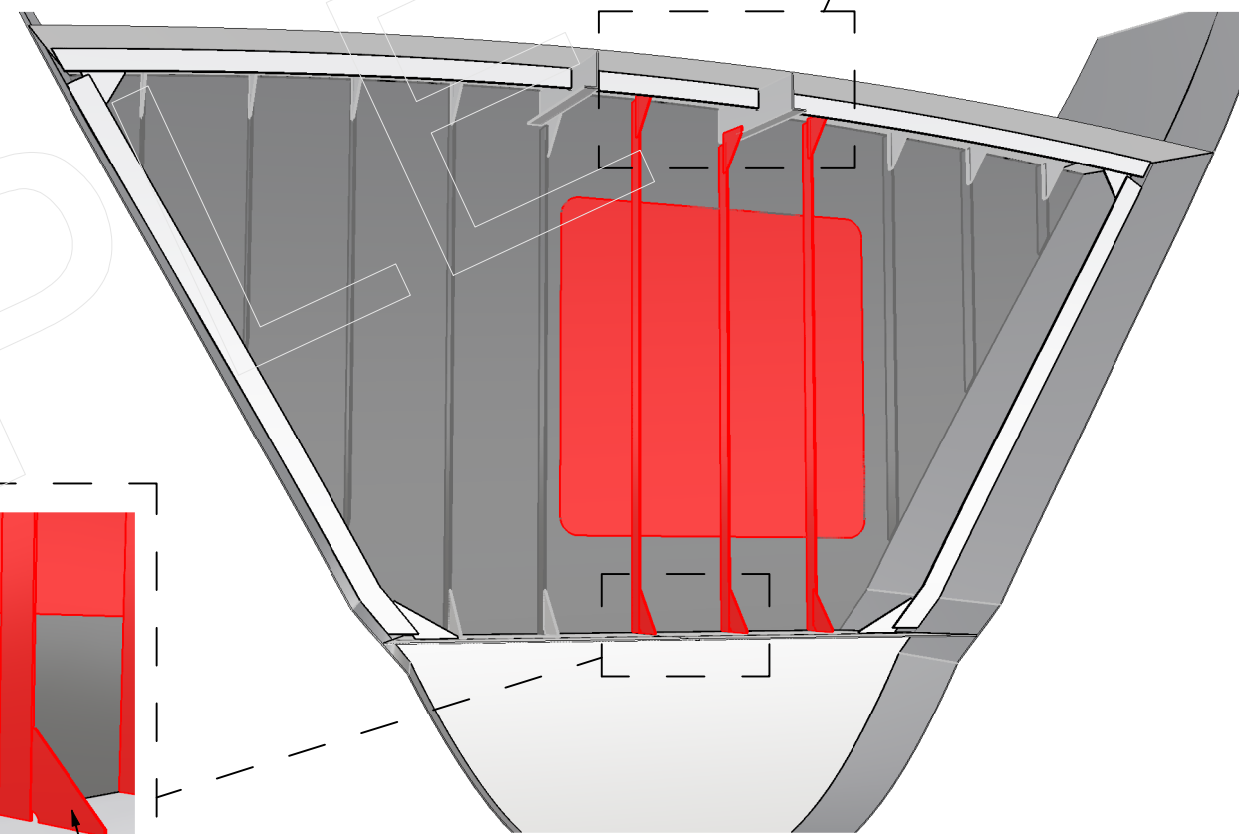
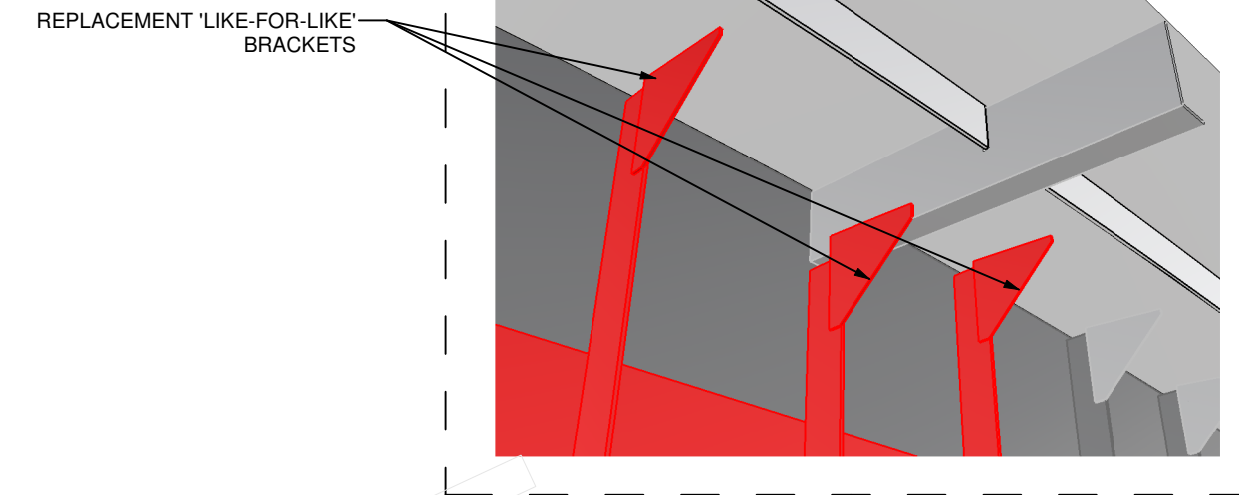
FRONT ELEVATION - BHD 57 LOOKING FWD
SCALE: 1:30



REPLACED STRUCTURE (LIKE-FOR-LIKE)



EXISTING STRUCTURE



3D PERSPECTIVE VIEW AT BHD 57- LOOKING FWD
SCALE: NTS

MATERIAL LIST

STEEL SHEET G250: 1750x1750x 6mm- (x1) Req.
STEEL FLAT BAR 100x8mm - (x3) LENGTHS Req.

GENERAL NOTES

- REPLACEMENT PLATE TO BE "LIKE FOR LIKE" REPLACEMENT
- ALL TOLERANCES TO COMPLY WITH DNV RULES FOR FABRICATION AND TESTING OF SHIP PART 2 CHAPTER 3, AND IACS 47
- REFER TO WELDING PROCEDURE SPECIFICATION (WPS) FOR WELD DETAIL
- ALL RADIUS 100mm UNLESS OTHERWISE SPECIFIED
- ALL EDGE MEASUREMENTS 150mm FROM FRAMES UNLESS OTHERWISE SPECIFIED

DRAWN BY: AG	TITLE: BULKHEAD PLATE REPAIR	SHEET: 1 OF 1	PROJECT TITLE: 30M SURVEY CLASS 1B	REVISION	DESCRIPTION	DATE
CHECKED BY: JP	SCALE: NOT SCALE	DRAWING NO: P100-001-00	CLIENT: JOHN SMITH			
APPROVED BY: DNV	DATE: 12/02/15	PAPER SIZE: A3	PROJECT REFERENCE: 1059			
All dimensions are in millimeters unless otherwise stated			REVISION: 00	00	ORIGINAL ISSUE	12/02/15

